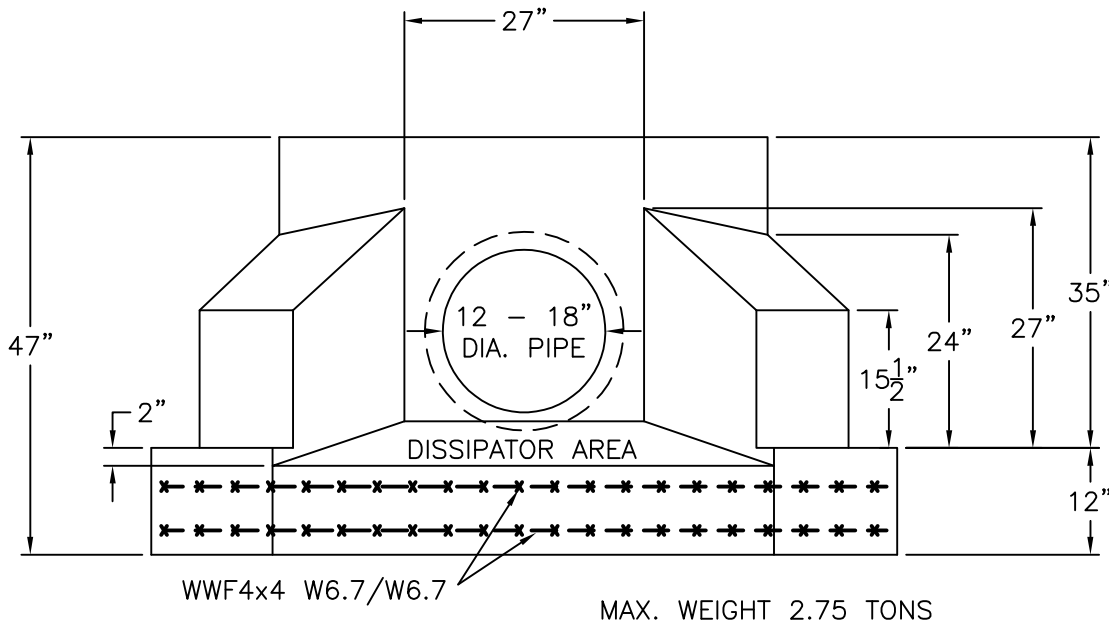
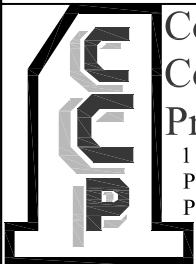


DISSIPATER DETAIL



SPECIFICATIONS:

MINIMUM CONCRETE STRENGTH 4000 PSI @ 28 DAYS (PENN DOT CLASS AA)
 DW ENDWALL DESIGNED AS PER PENN DOT SPECIFICATION
 EXPOSED EDGES TO HAVE 1" X 1" CHAMFER
 MATERIALS AND WORKMANSHIP IN ACCORDANCE WITH THE REQUIREMENTS OF PUBLICATION 408 SECTION 605 & 714
 STEEL REINFORCEMENT A615 GRADE 60 HORIZONTAL AND VERTICAL



**Continental
 Concrete
 Products, Inc.**
 1 South Grosstown Rd.
 Pottstown, PA 19464
 Phone: (610) 327-3700
 Fax: (610) 327-9488

TYPE 'DW' ENDWALL 12" TO 18" PIPE

SIGNATURE OF APPROVAL

DATE

RRP

DWG

STRUCTURE

10/01/03

DW1218