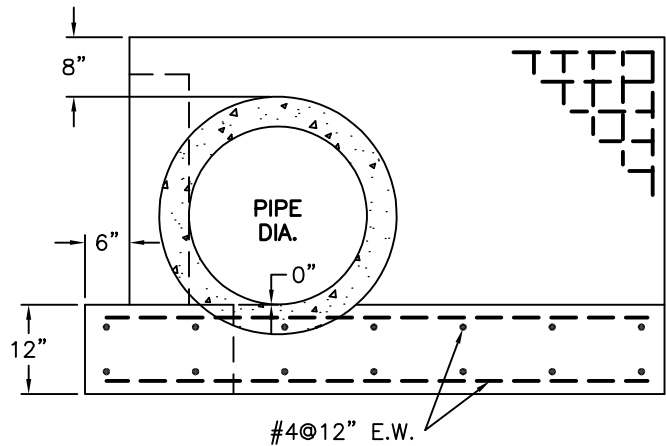
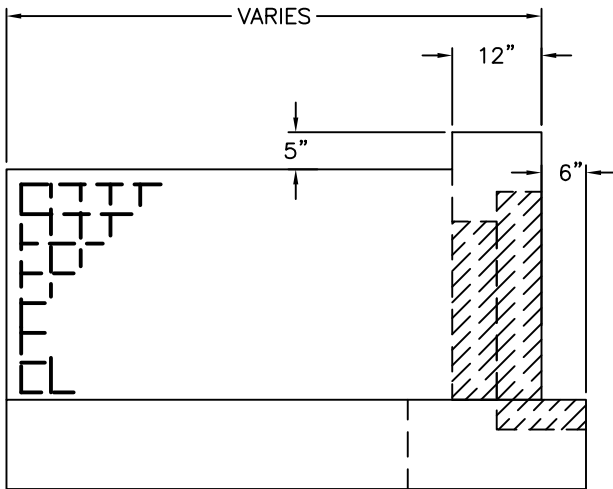
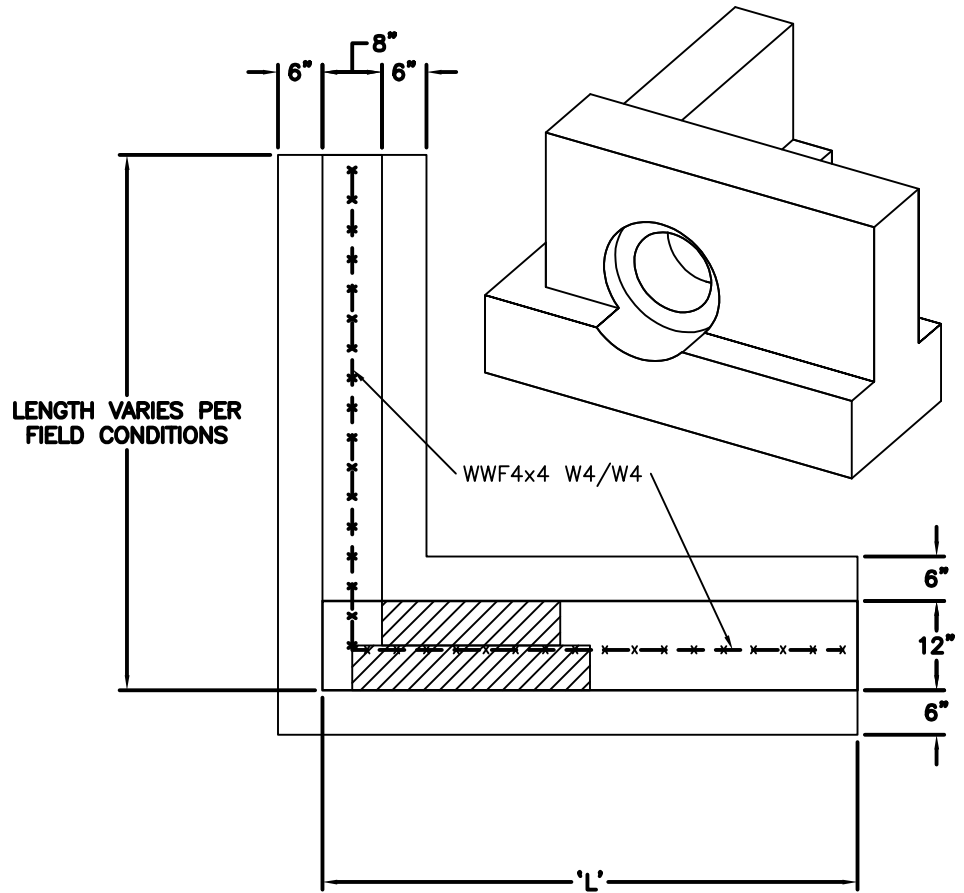


PIPE DIA.	'L'
12"	42"
15"	54"
18"	60"
21"	66"
24"	72"
27"	84"
30"	90"
36"	102"



SPECIFICATIONS:

MINIMUM CONCRETE STRENGTH 4000 PSI @ 28 DAYS (PENN DOT CLASS AA)
 DE ENDWALL DESIGNED AS PER PENN DOT SPECIFICATION
 EXPOSED EDGES TO HAVE 1" X 1" CHAMFER
 MATERIALS AND WORKMANSHIP IN ACCORDANCE WITH THE REQUIREMENTS OF
 PUBLICATION 408 SECTION 605 & 714
 STEEL REINFORCEMENT A615 GRADE 60 HORIZONTAL AND VERTICAL

**Continental
Concrete
Products, Inc.**
 1 South Grosstown Rd.
 Pottstown, PA 19464
 Phone: (610) 327-3700
 Fax: (610) 327-9488

TYPE 'DE' ENDWALL

SIGNATURE OF APPROVAL

DATE

RRP DWG

STRUCTURE

10/01/03

DE EW