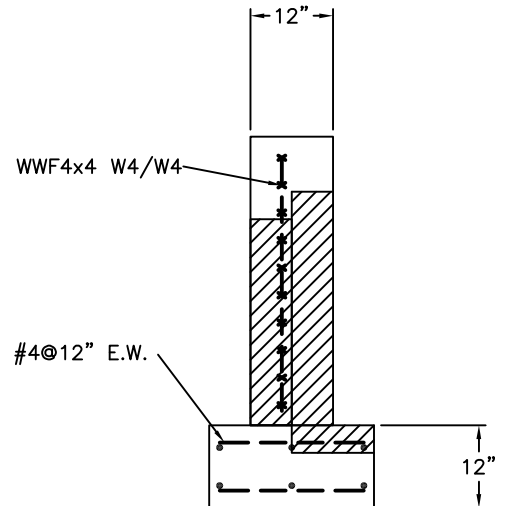
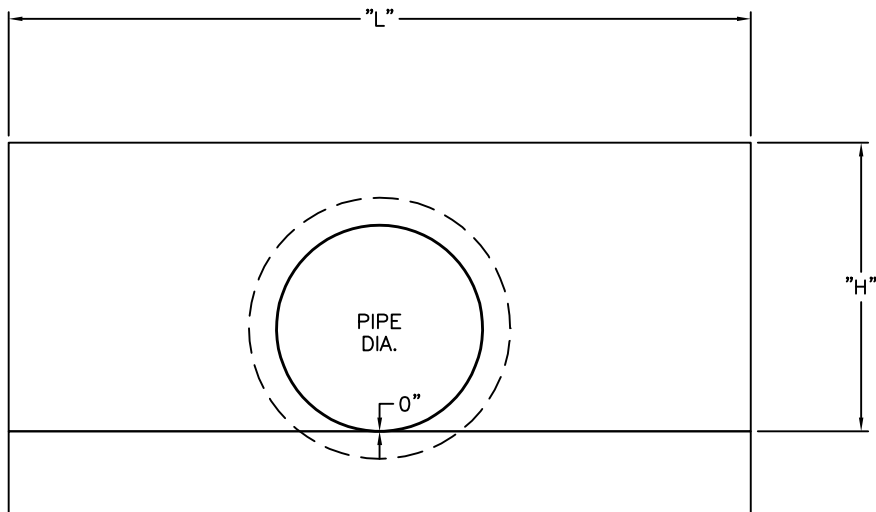
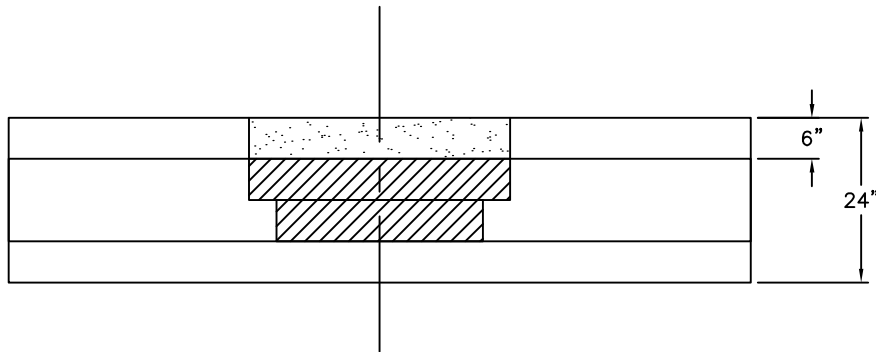
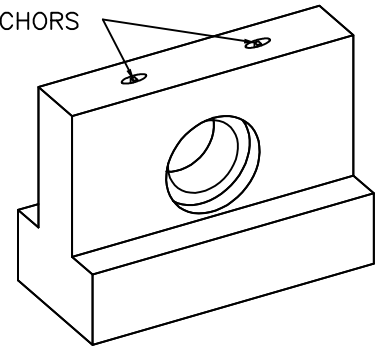


PIPE DIA.	'H'	'L'
12	30"	60"
15	30"	60"
18	30"	60"
21	30"	60"
24	38"	84"
27	38"	84"
30	42"	108"
33	48"	108"
36	48"	108"

LIFT ANCHORS



SPECIFICATIONS:

MINIMUM CONCRETE STRENGTH 4000 PSI @ 28 DAYS (PENN DOT CLASS AA)
 D ENDWALL DESIGNED AS PER PENN DOT SPECIFICATION
 EXPOSED EDGES TO HAVE 1" X 1" CHAMFER
 MATERIALS AND WORKMANSHIP IN ACCORDANCE WITH THE REQUIREMENTS OF
 PUBLICATION 408 SECTION 605 & 714
 STEEL REINFORCEMENT A615 GRADE 60 HORIZONTAL AND VERTICAL



**Continental
 Concrete
 Products, Inc.**
 1 South Grosstown Rd.
 Pottstown, PA 19464
 Phone: (610) 327-3700
 Fax: (610) 327-9488

TYPE "D" ENDWALL

SIGNATURE OF APPROVAL

DATE RRP DWG

STRUCTURE

10/01/03

D EW