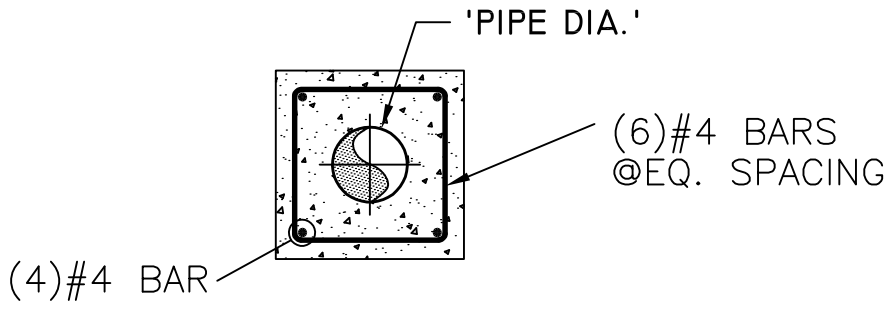
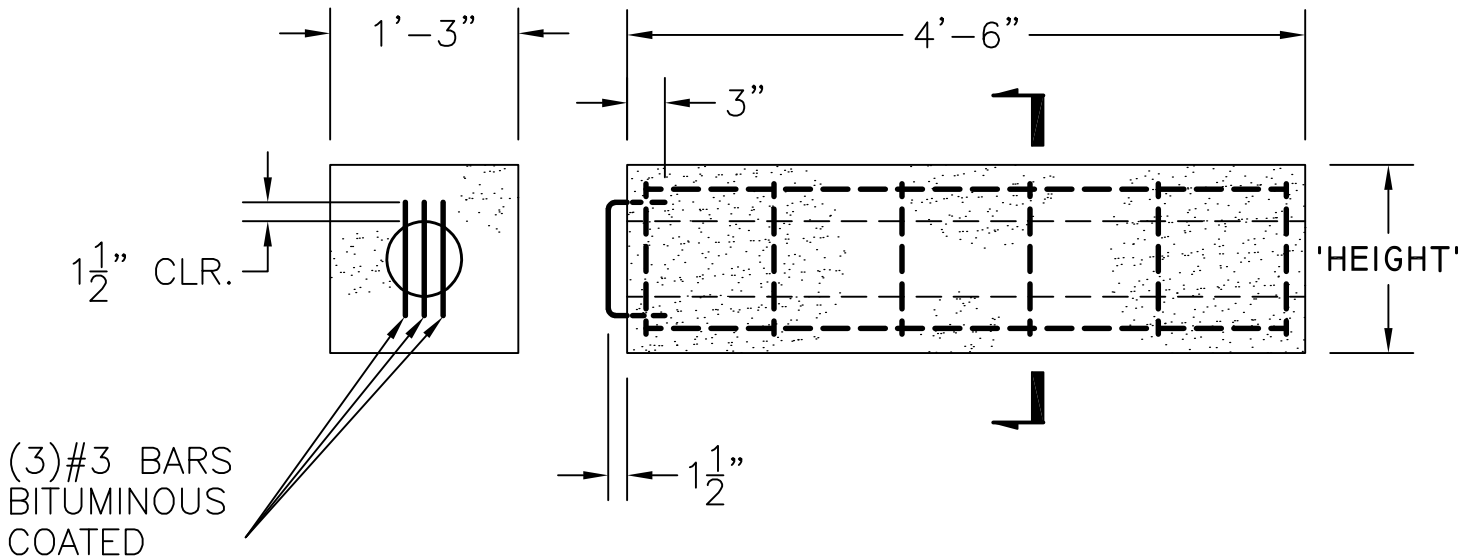


PIPE DIA.	HEIGHT
4"	12"
6"	15"
8"	16"
10"	18"

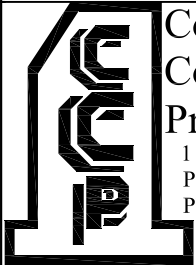


SECTION



SPECIFICATIONS

MATERIAL AND CONSTRUCTION SHALL COMPLY WITH PENN D.O.T. PUB. 408
 CLASS AA CONCRETE 4000 P.S.I. @ 28 DAYS
 REINFORCEMENT~ A.S.T.M. A615 GRADE 60, MIN. 1 1/2" COVER.



Continental
 Concrete
 Products, Inc.
 1 South Grosstown Rd.
 Pottstown, PA 19464
 Phone: (610) 327-3700
 Fax: (610) 327-9488

SUBSURFACE DRAIN OUTLET ENDWALL

SIGNATURE OF APPROVAL

DATE

RRP

DWG

STRUCTURE

3/2/06

SSDREW