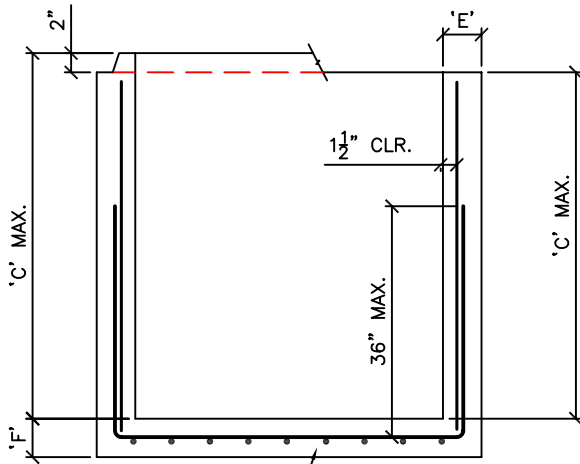
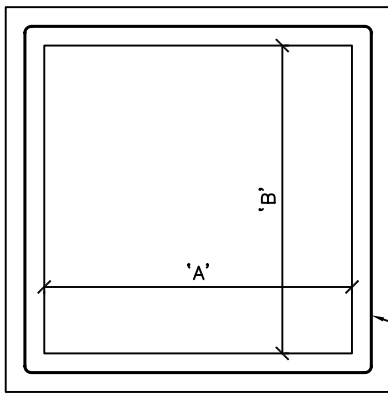


DELDOT

BOX SIZE	(A)	(B)	(C)	(D)	(E)	(F)
4'X4'	4'-0"	4'-0"	6'-0"	6'-0"	6"	6"
6'X6'	6'-0"	6'-0"	8'-0"	8'-0"	6" OR 8"	8"

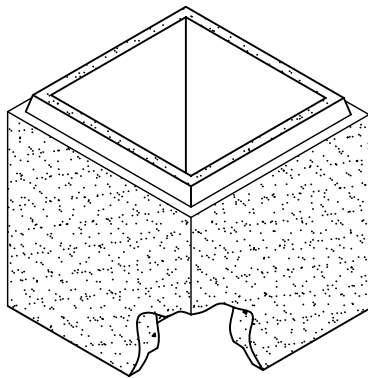
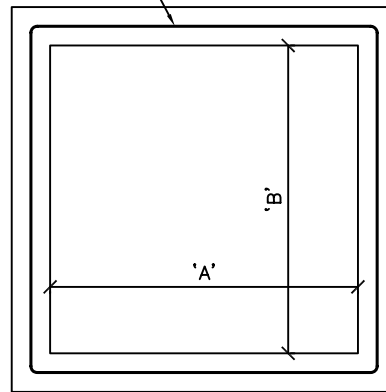
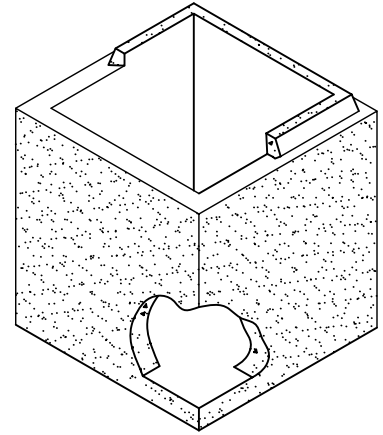


FLOOR REINFORCEMENT:
#4@6" EACH WAY

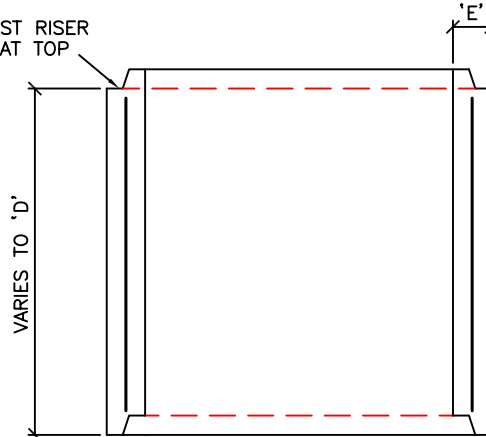
WALL REINFORCEMENT
ALL WALLS:
(4x4)

0.163in.²/FT. HORZ.
0.132in.²/FT. VERT.

(6x6)
0.284in.²/FT. HORZ.
0.132in.²/FT. VERT.

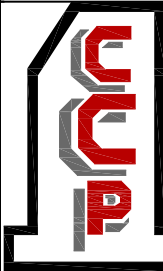


LAST RISER
FLAT TOP



SPECIFICATIONS

MATERIAL AND CONSTRUCTION SHALL COMPLY WITH DEL. D.O.T.
CLASS AA CONCRETE 4000 P.S.I. @ 28 DAYS
REINFORCEMENT~ A.S.T.M. A615 GRADE 60, MIN. 1 1/2" COVER.
LOCATION OF PIPE OPENINGS AS REQ'D. AND SHALL COMPLY WITH DEL. D.O.T.



**Continental
Concrete
Products, Inc.**
1 South Grosstown Rd.
Pottstown, PA 19464
Phone: (610) 327-3700
Fax: (610) 327-9488

MODIFIED INLET BOX FOR LARGE PIPE
w/TONGUE

SIGNATURE OF APPROVAL

DATE

RRP

DWG

STRUCTURE

5/07

DELB