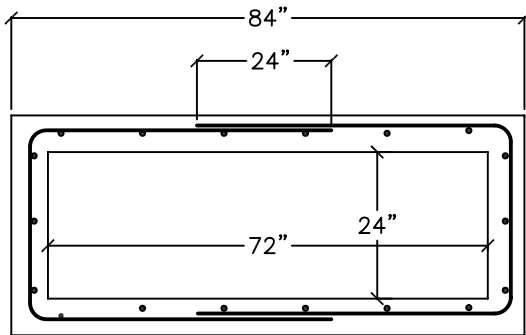
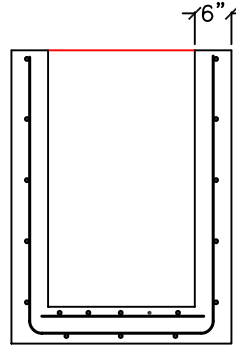
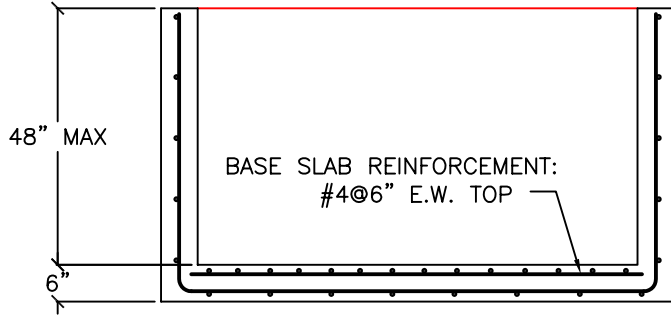
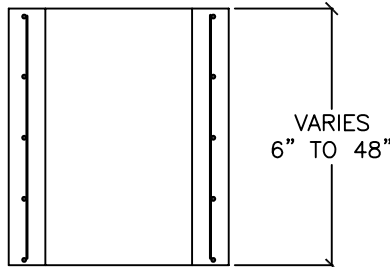
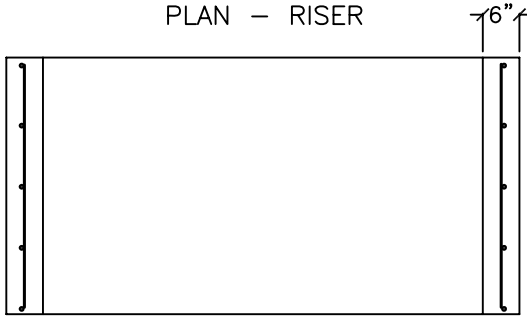


PLAN - BASE



PLAN - RISER



WALL REINFORCEMENT:

DEPTH BELOW TOP OF GRATE
 0 TO 10'-0"
 10'-1" TO 15'-0"
 15'-1" TO 20'-0"

HORZ. REINF.
 #4@10"
 #4@8"
 #4@6"

VERT. REINF.
 #4@18"
 #4@18"
 #4@18"

ALTERNATE WALL REINFORCEMENT:

DEPTH BELOW TOP OF GRATE
 0 TO 10'-0"
 10'-1" TO 15'-0"
 15'-1" TO 20'-0"

REINF.
 WWF3x6 W6/W6
 WWF3x6 W6/W6
 WWF3x6 W6/W6

ADDITIONAL HORZ. REINF.
 #3@18"
 #3@15"

WIRES SPACED AT 3" TO RUN HORIZONTAL.

SPECIFICATIONS

MATERIAL AND CONSTRUCTION SHALL COMPLY WITH NJ D.O.T.
 NJ DOT CLASS B CONCRETE 4500 P.S.I. @ 28 DAYS
 REINFORCEMENT~ A.S.T.M. A615 GRADE 60, MIN. 1 1/2" COVER.
 WELDED WIRE FABRIC SHALL CONFORM TO ASTM A185.
 LOCATION OF PIPE OPENING AS REQUIRED.

**Continental
Concrete
Products, Inc.**
 1 South Grosstown Rd.
 Pottstown, PA 19464
 Phone: (610) 327-3700
 Fax: (610) 327-9488

24"x72" INLET BOX w/RISER

SIGNATURE OF APPROVAL

DATE

RRP

DWG

STRUCTURE

3/07

NJ2472

INLET