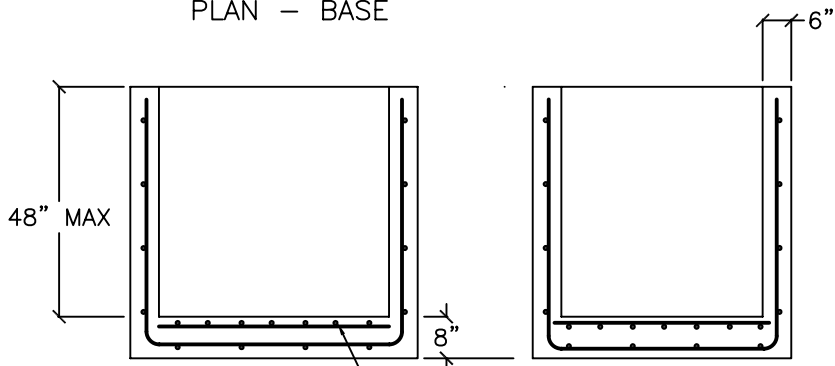


PLAN - BASE



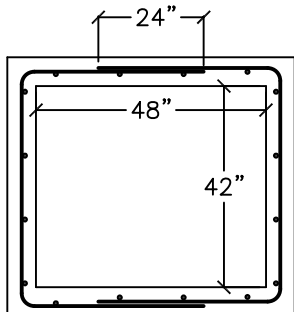
BASE SLAB REINFORCEMENT:
#4@6" E.W. TOP

WALL REINFORCEMENT:

DEPTH BELOW TOP
OF GRATE
0 TO 10'-0"
10'-1" TO 15'-0"
15'-1" TO 20'-0"

HORZ.
REINF.
#4@10"
#4@8"
#4@6"

VERT.
REINF.
#4@18"
#4@18"
#4@18"



PLAN - RISER

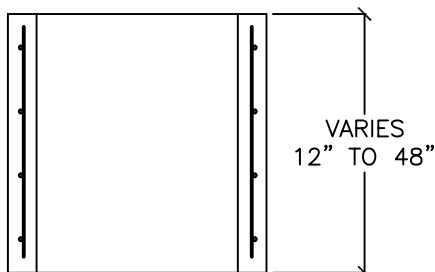
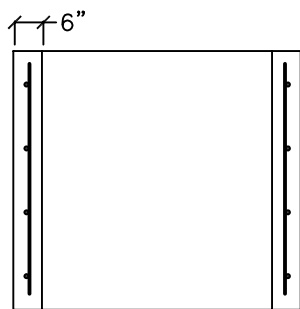
ALTERNATE WALL REINFORCEMENT:

DEPTH BELOW TOP
OF GRATE
0 TO 10'-0"
10'-1" TO 15'-0"
15'-1" TO 20'-0"

REINF.
WWF3x6 W6/W6
WWF3x6 W6/W6
WWF3x6 W6/W6

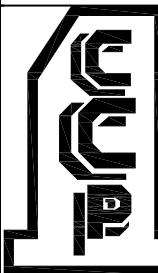
ADDITIONAL
HORZ. REINF.
#3@18"
#3@15"

WIRES SPACED AT 3" TO RUN HORIZONTAL.



SPECIFICATIONS

MATERIAL AND CONSTRUCTION SHALL COMPLY WITH NJ D.O.T.
NJ DOT CLASS B CONCRETE 4500 P.S.I. @ 28 DAYS
REINFORCEMENT~ A.S.T.M. A615 GRADE 60, MIN. 1 1/2" COVER.
WELDED WIRE FABRIC SHALL CONFORM TO ASTM A185.
LOCATION OF PIPE OPENING AS REQUIRED.



Continental
Concrete
Products, Inc.
1 South Grosstown Rd.
Pottstown, PA 19464
Phone: (610) 327-3700
Fax: (610) 327-9488

42"x48" INLET BOX w/RISER

SIGNATURE OF APPROVAL

DATE

RRP

DWG

3/07

NJ4248

STRUCTURE

INLET