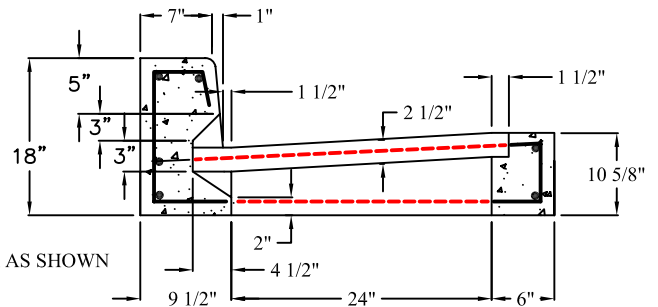


SECTION 'A-A'



SECTION 'B-B'

SPECIFICATIONS

MATERIAL AND CONSTRUCTION SHALL COMPLY WITH PENN D.O.T. PUB. 408
 CLASS AA CONCRETE 4000 P.S.I. @ 28 DAYS
 REINFORCEMENT~ A.S.T.M. A615 GRADE 60, MIN. 1 1/2" COVER.
 MEETS H-25 LOAD REQUIREMENTS

PENN D.O.T. 4FT. TYPE C INLET TOP



**Continental
 Concrete
 Products, Inc.**
 1 South Grosstown Rd.
 Pottstown, PA 19464
 Phone: (610) 327-3700
 Fax: (610) 327-9488

DATE: 2-00

SIGNATURE OF APPROVAL

DWG NO. CTLST0017

NAME: BTH