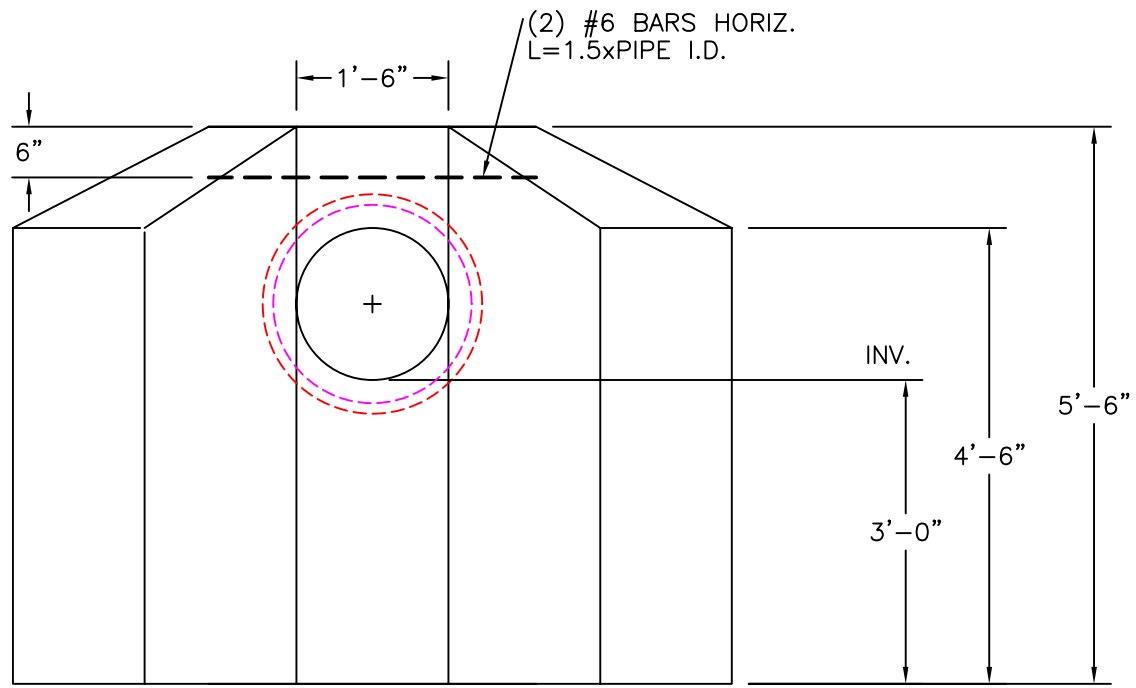
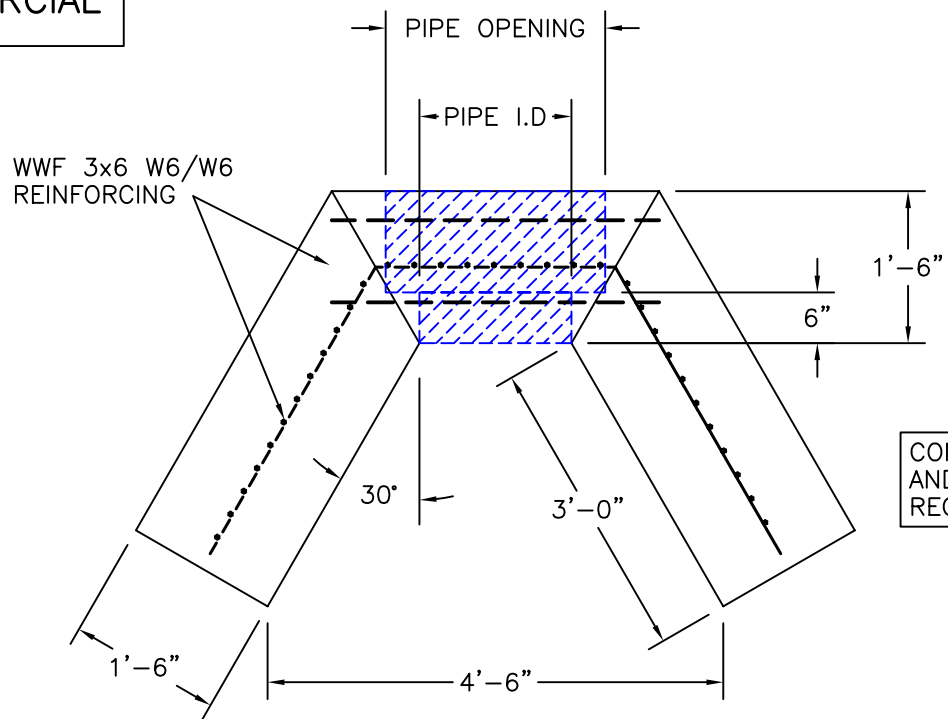


COMMERCIAL

| PIPE I.D. | PIPE OPENING |
|-----------|--------------|
| 12"       | 18"          |
| 15"       | 22"          |
| 18"       | 26"          |



APPROX. WT. 10000 LBS.

**SPECIFICATIONS**

MATERIAL AND CONSTRUCTION SHALL COMPLY WITH NJ D.O.T.  
 NJ DOT CLASS B CONCRETE 4500 P.S.I. @ 28 DAYS  
 REINFORCEMENT IN ACCORDANCE WITH N.J. ROADWAY CONSTRUCTION STD. CD603-1.6

**Continental  
Concrete  
Products, Inc.**  
 1 South Grosstown Rd.  
 Pottstown, PA 19464  
 Phone: (610) 327-3700  
 Fax: (610) 327-9488

NEW JERSEY HEADWALL  
 12" THRU 18" DIA. PIPE

SIGNATURE OF APPROVAL

DATE RRP DWG

STRUCTURE

10/22/07

12\_15\_18COMM