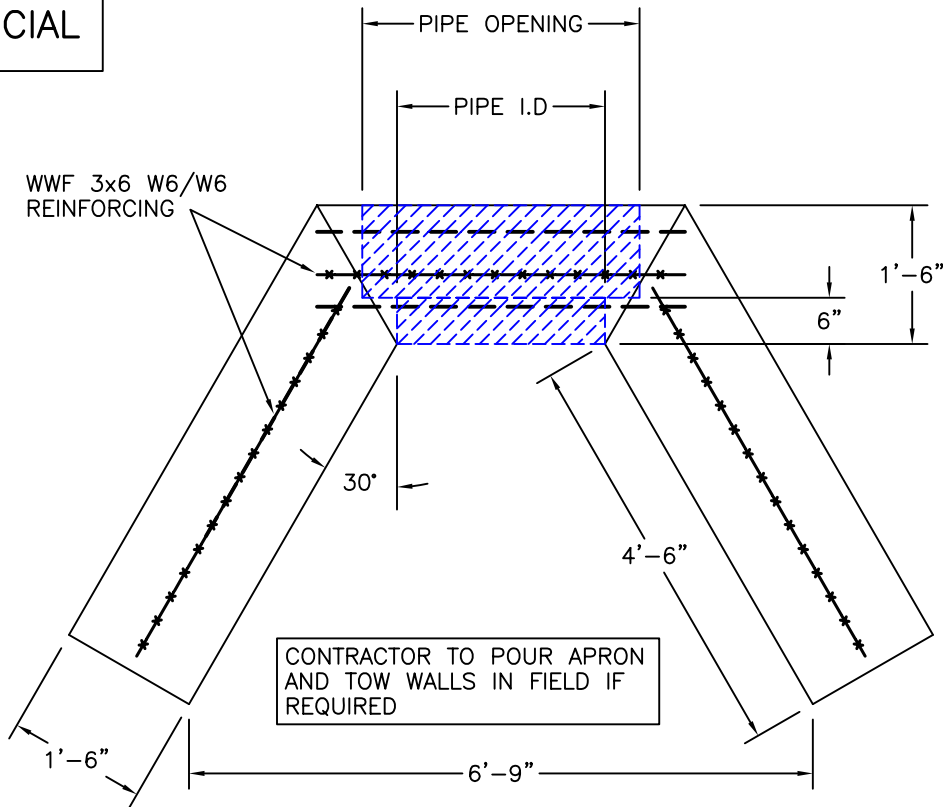
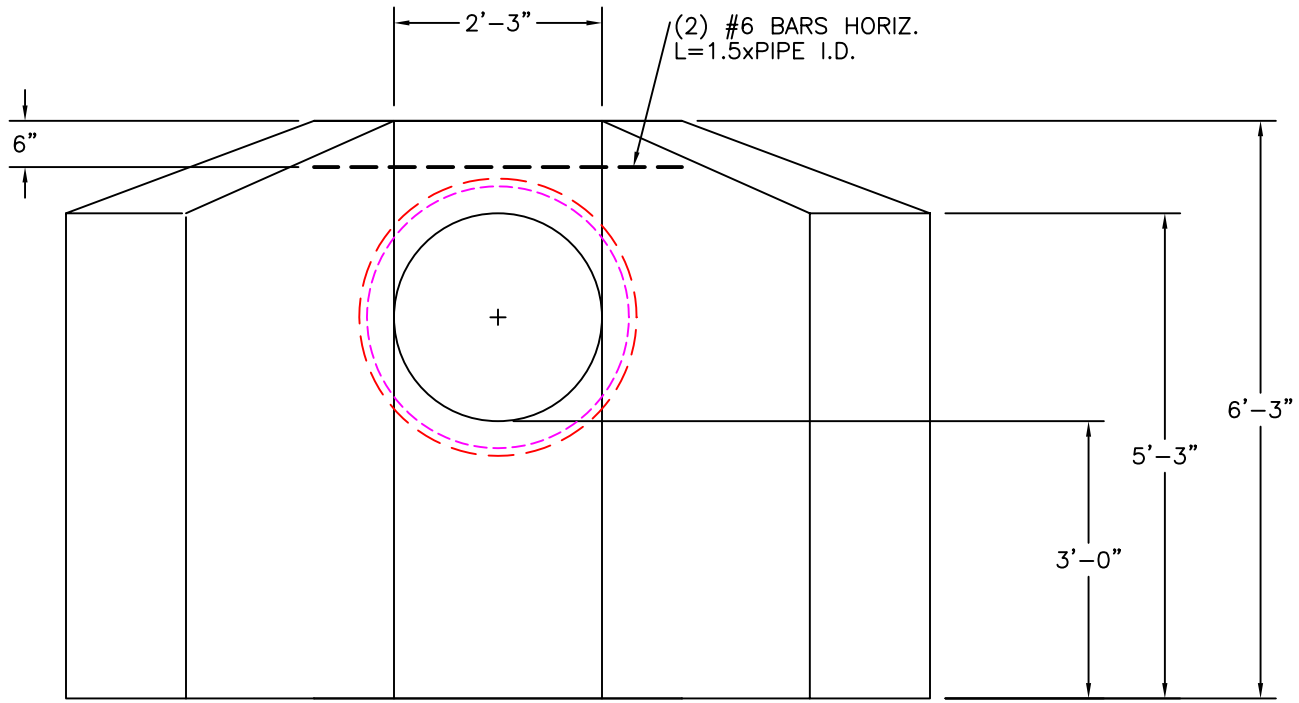


COMMERCIAL



PIPE I.D.	PIPE OPENING
21"	29"
24"	33"
27"	36"



APPROX. WT. 16,000 LBS.

**SPECIFICATIONS**

MATERIAL AND CONSTRUCTION SHALL COMPLY WITH NJ D.O.T.  
 NJ DOT CLASS B CONCRETE 4500P.S.I. @ 28 DAYS  
 REINFORCEMENT IN ACCORDANCE WITH N.J. ROADWAY CONSTRUCTION STD. CD603-1.6

**Continental  
Concrete  
Products, Inc.**  
 1 South Grosstown Rd.  
 Pottstown, PA 19464  
 Phone: (610) 327-3700  
 Fax: (610) 327-9488

NEW JERSEY HEADWALL  
 21" THRU 27" DIA. PIPE

SIGNATURE OF APPROVAL	DATE	RRP	DWG	STRUCTURE
	10/22/07		21_24_27COMM	