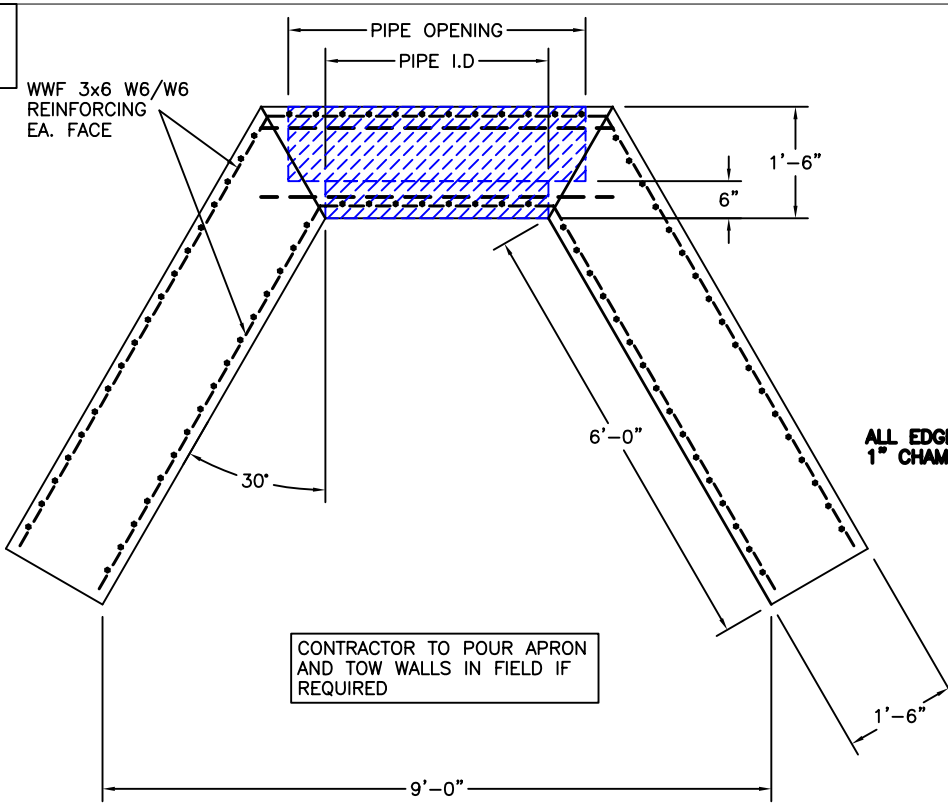
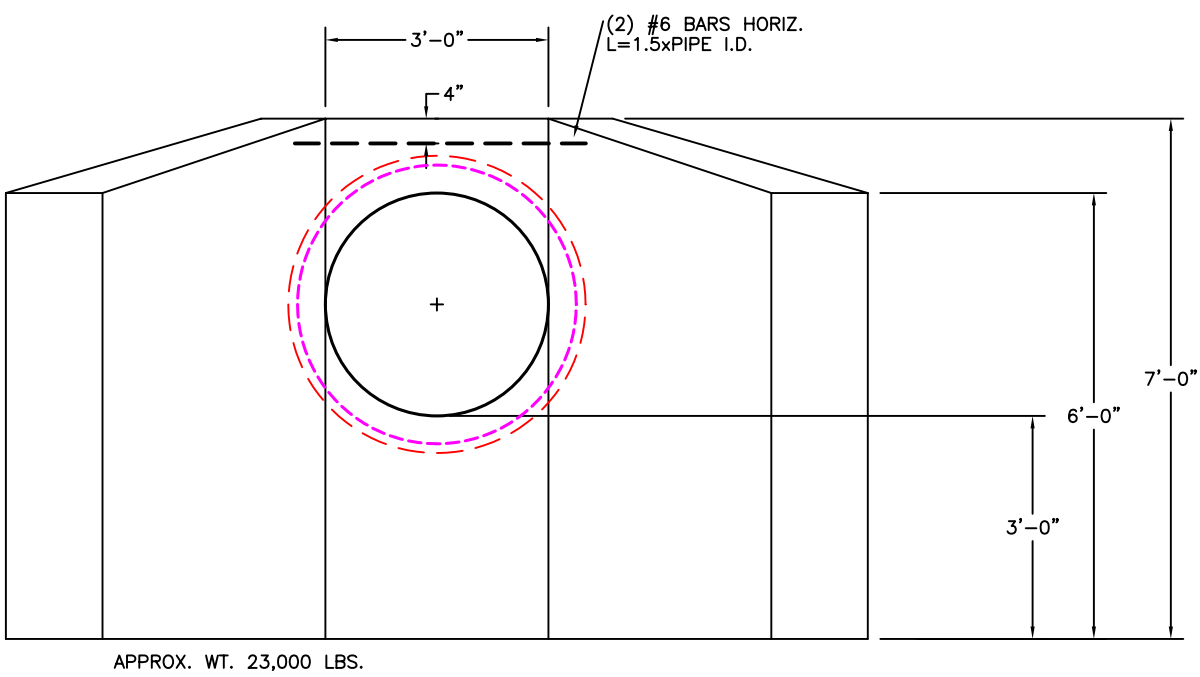


COMMERCIAL



PIPE I.D.	PIPE OPENING
30"	40"
33"	43"
36"	48"



SPECIFICATIONS

MATERIAL AND CONSTRUCTION SHALL COMPLY WITH NJ D.O.T.
 NJ DOT CLASS B CONCRETE 4500P.S.I. @ 28 DAYS
 REINFORCEMENT IN ACCORDANCE WITH N.J. ROADWAY CONSTRUCTION STD. CD603-1.6

**Continental
Concrete
Products, Inc.**
 1 South Grosstown Rd.
 Pottstown, PA 19464
 Phone: (610) 327-3700
 Fax: (610) 327-9488

NEW JERSEY HEADWALL 30" THRU 36" DIA. PIPE			
SIGNATURE OF APPROVAL	DATE	RRP	DWG
	10/22/07		30_33_36COMM
			STRUCTURE