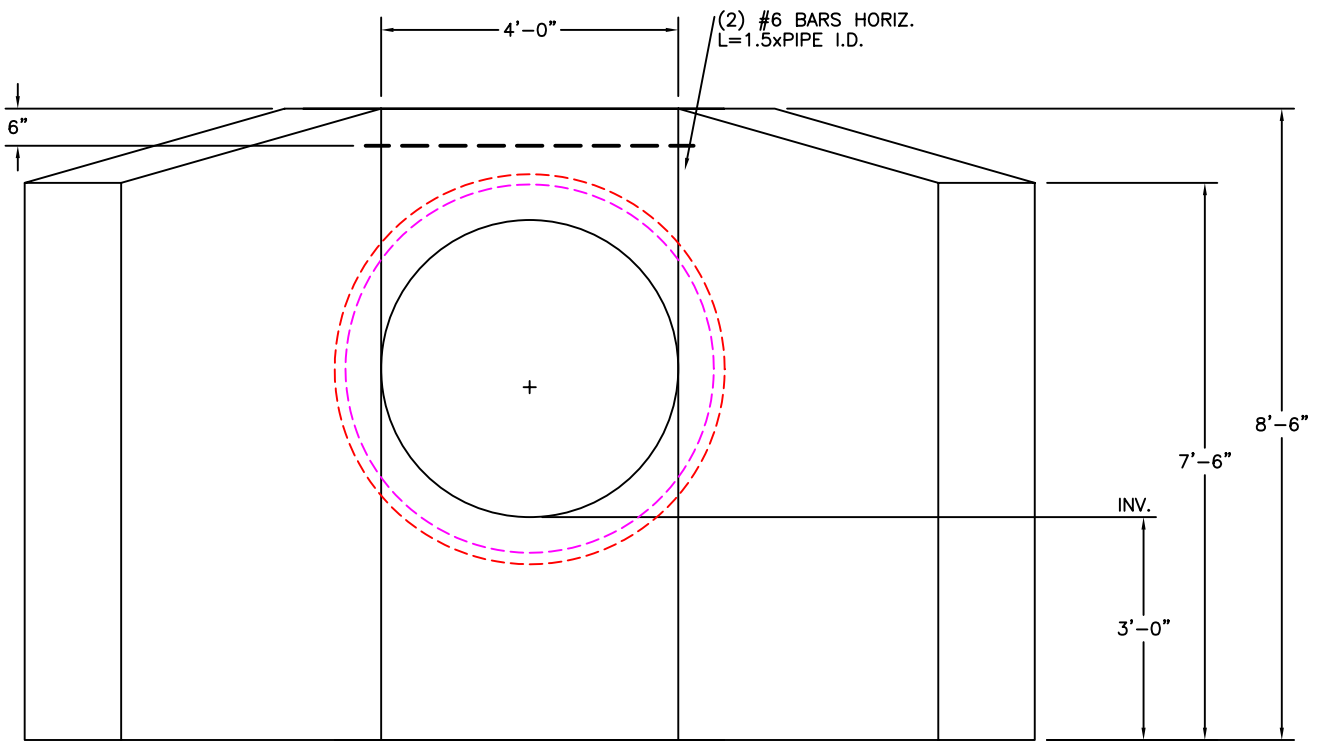
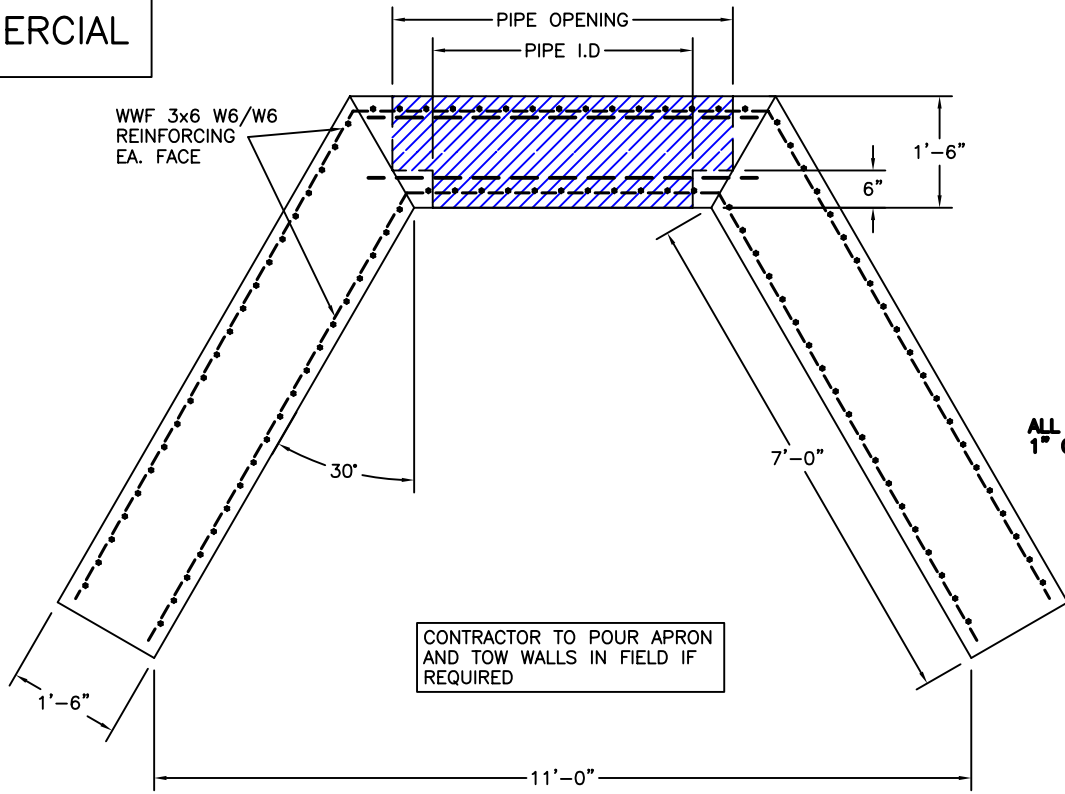


COMMERCIAL

PIPE I.D.	PIPE OPENING
42"	56"
48"	63"



APPROX. WT. 32,000 LBS.

SPECIFICATIONS

MATERIAL AND CONSTRUCTION SHALL COMPLY WITH NJ D.O.T.
 NJ DOT CLASS B CONCRETE 4500P.S.I. @ 28 DAYS
 REINFORCEMENT IN ACCORDANCE WITH N.J. ROADWAY CONSTRUCTION STD. CD603-1.6

**Continental
Concrete
Products, Inc.**
 1 South Grosstown Rd.
 Pottstown, PA 19464
 Phone: (610) 327-3700
 Fax: (610) 327-9488

NEW JERSEY HEADWALL
 42" THRU 48" DIA. PIPE

SIGNATURE OF APPROVAL

DATE RRP DWG

STRUCTURE

10/22/07

42_48COMM