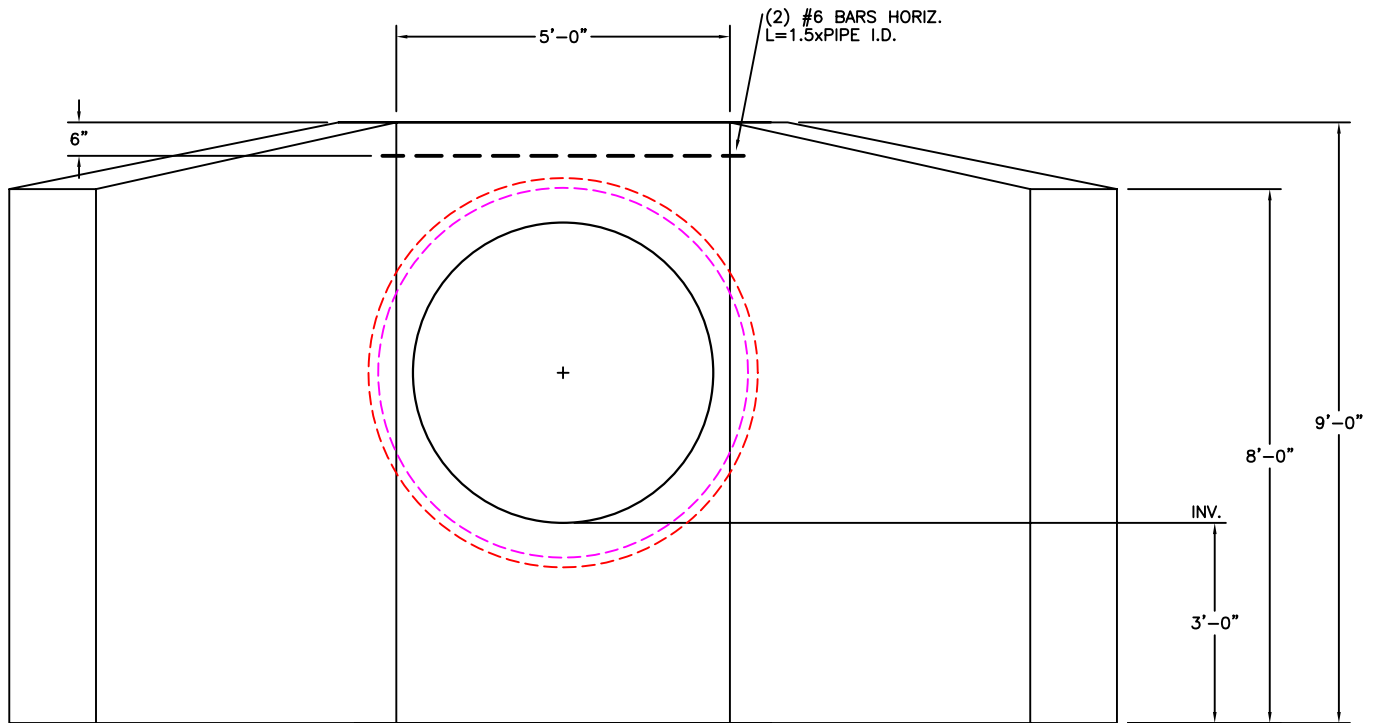
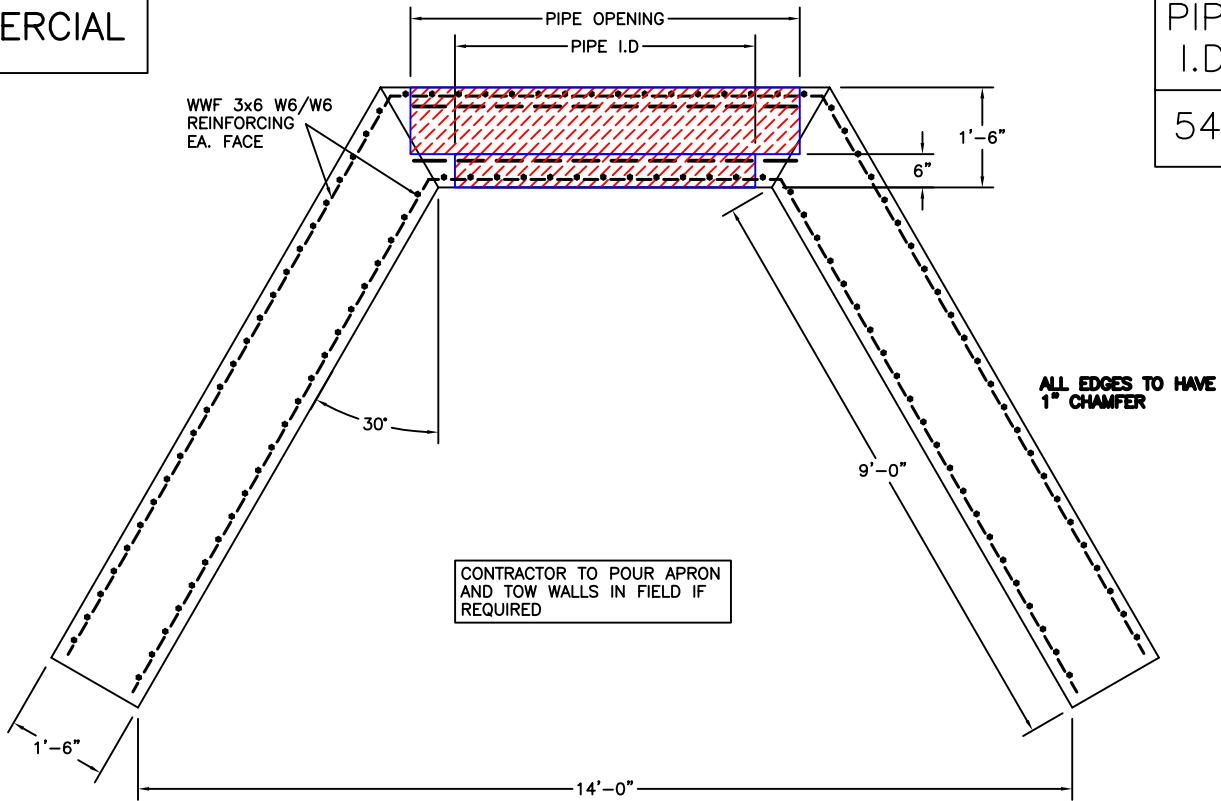


COMMERCIAL

PIPE I.D.	PIPE OPENING
54"	70"



APPROX. WT. 45,000 LBS.

SPECIFICATIONS

MATERIAL AND CONSTRUCTION SHALL COMPLY WITH NJ D.O.T.
 NJ DOT CLASS B CONCRETE 4500P.S.I. @ 28 DAYS
 REINFORCEMENT IN ACCORDANCE WITH N.J. ROADWAY CONSTRUCTION STD. CD603-1.6

**Continental
Concrete
Products, Inc.**
 1 South Grosstown Rd.
 Pottstown, PA 19464
 Phone: (610) 327-3700
 Fax: (610) 327-9488

**NEW JERSEY HEADWALL
54" DIA. PIPE**

SIGNATURE OF APPROVAL

DATE RRP DWG

STRUCTURE

10/22/07

54COMM