

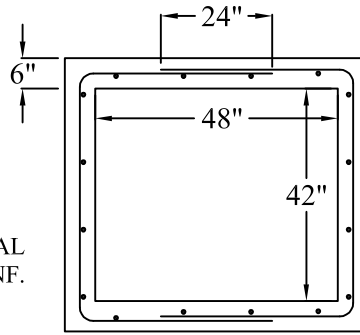
WALL REINFORCEMENT:

DEPTH BELOW TOP OF GRATE	HORZ. REINF.	VERT. REINF.
0 TO 10'-0"	#4@10"	#4@18"
10'-1" TO 15'-0"	#4@ 8"	#4@18"
15'-1" TO 20'-0"	#4@ 6"	#4@18"

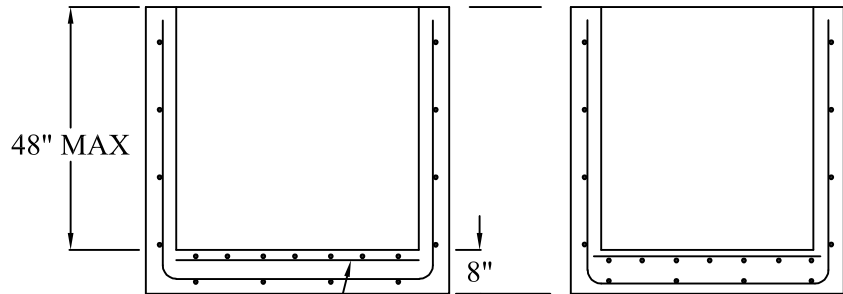
ALTERNATE WALL REINFORCEMENT:

DEPTH BELOW TOP OF GRATE	REINF.	ADDITIONAL HORZ. REINF.
0 TO 10'-0"	WWF 3x6-W6xW6	
10'-1" TO 15'-0"	WWF 3x6-W6xW6	#3@18"
15'-1" TO 20'-0"	WWF 3x6-W6xW6	#3@15"

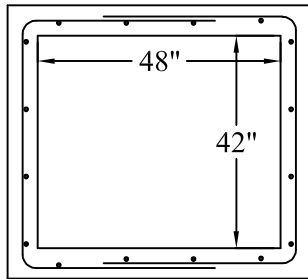
WIRES SPACED AT 3" TO RUN HORIZONTAL.



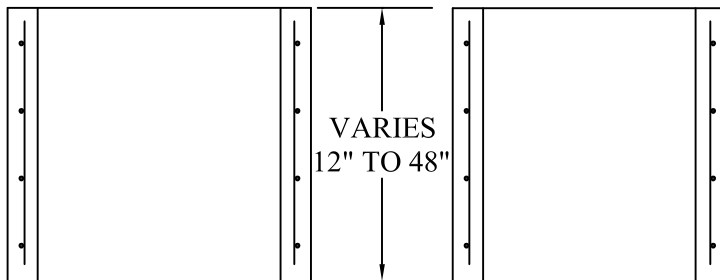
PLAN - BASE



BASE SLAB REINFORCEMENT:
#4@6" TOP - EA. WAY

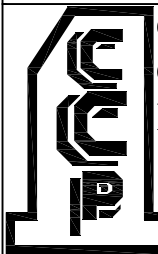


PLAN - RISER



SPECIFICATIONS

MATERIAL AND CONSTRUCTION SHALL COMPLY WITH NJ D.O.T.
 NJ DOT CLASS B CONCRETE 4000 P.S.I. @ 28 DAYS
 REINFORCEMENT~ A.S.T.M. A615 GRADE 60, MIN. 1 1/2" COVER.
 WELDED WIRE FABRIC SHALL CONFORM TO ASTM A185.
 LOCATION OF PIPE OPENING AS REQUIRED.
 BOXES AND RISER FABRICATED IN 6" INCREMENTS



**Continental
Concrete
Products, Inc.**
 1 South Grosstown Rd.
 Pottstown, PA 19464
 Phone: (610) 327-3700
 Fax: (610) 327-9488

42" X 48" NEW JERSEY TYPE B INLET BOX w/RISER

DATE: 6-05

SIGNATURE OF APPROVAL

DWG NO.
NJ42X48

NAME: BTH