

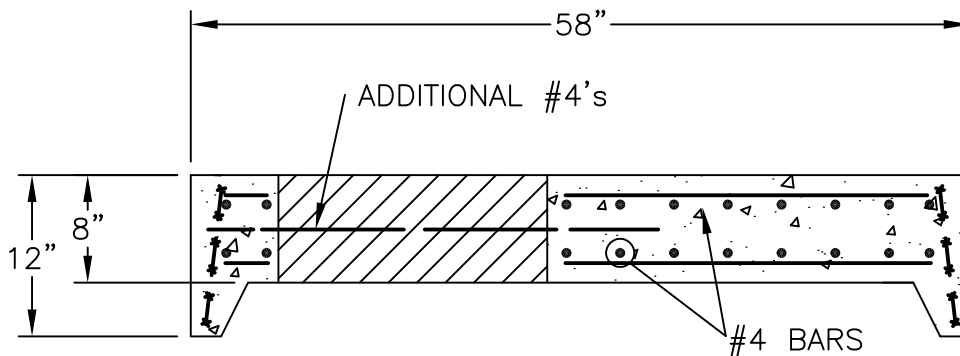
ADDITIONAL #4 BAR
AROUND ACCESS
OPENING

#4@6" E.W.
TOP & BOT.

(4) CHANNEL
SLOTS CAST IN
AT 90° BY
HALFEN
ANCHORING
SYSTEMS

24" OR 30"
OPENING

WWF3x12 W3/W2.5
CIRCUMFERENTIAL



SECTION

SPECIFICATIONS:

MINIMUM CONCRETE STRENGTH 4000 PSI @ 28 DAYS (NJ DOT CLASS B)
 STEEL REINFORCEMENT ASTM A185 HORIZONTAL TOP SLAB STEEL 1 1/2" MIN. CONCRETE COVER
 MANHOLE DESIGN SPEC. CONFORM TO "PRECAST REINFORCEMENT MANHOLE SECTIONS" ASTM C478, LATEST REVISION.
 48" DIA. MANHOLE FLAT LIDS DESIGNED WITH STANDARD AASHTO HS-25 LIVE LOAD CONDITIONS



**Continental
Concrete
Products, Inc.**

1 South Grosstown Rd.
 Pottstown, PA 19464
 Phone: (610) 327-3700
 Fax: (610) 327-9488

48" DIA. MANHOLE FLAT LID W/ACCESS OPENING

SIGNATURE OF APPROVAL

DATE

RRP

DWG

STRUCTURE

10/01/03

NJ48LIDFC