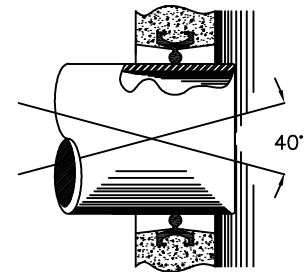
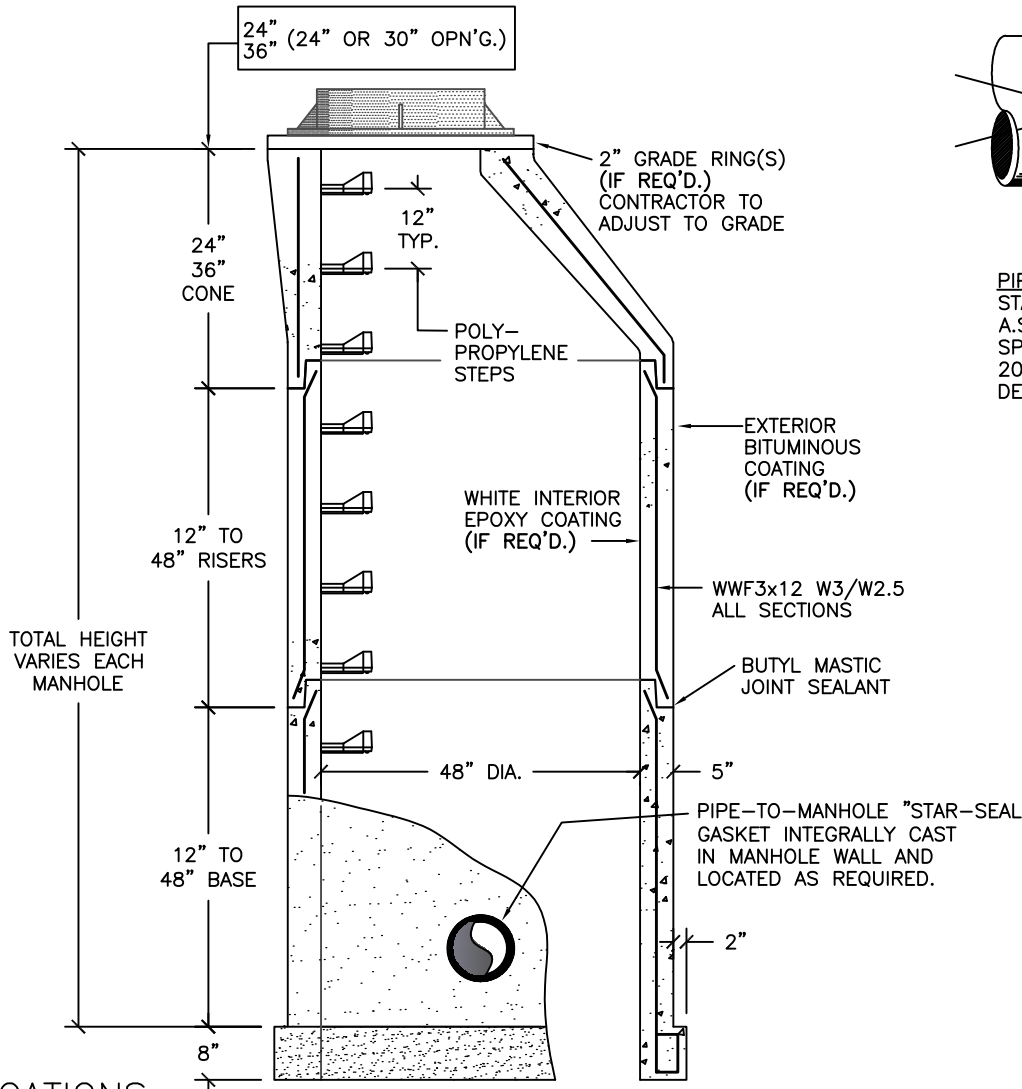
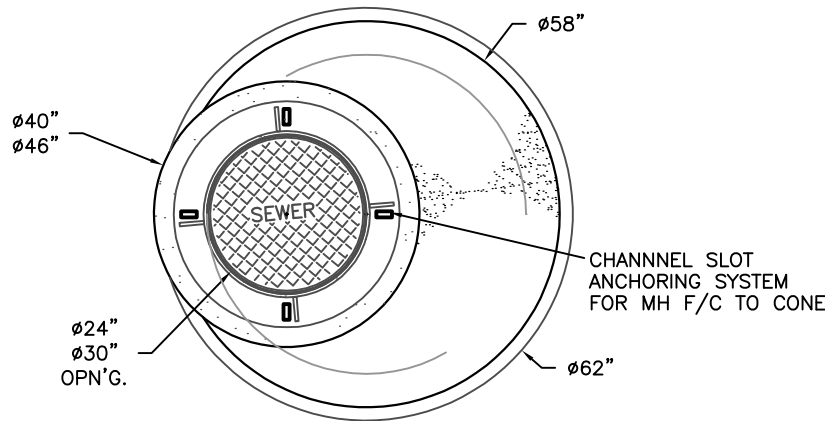


COMMERCIAL



PIPE TO MANHOLE SEAL
 STAR-SEAL™ GASKET PER
 A.S.T.M. RUBBER GASKET
 SPECS C923, JOINT ALLOWS
 20° OMNIDIRECTIONAL
 DEFLECTION

SPECIFICATIONS:

- MINIMUM CONCRETE STRENGTH 4000 PSI @ 28 DAYS (PENN DOT CLASS AA)
- STEEL REINFORCEMENT ASTM A185 HORIZONTAL & HORIZONTAL STEEL
- 1 1/2" MIN. CONCRETE COVER (ALL REINFORCEMENT)
- MANHOLE DESIGN SPEC. CONFORM TO "PRECAST REINFORCEMENT MANHOLE SECTIONS" ASTM C478, LATEST REVISION.

Continental Concrete Products, Inc.
 1 South Grosstown Rd.
 Pottstown, PA 19464
 Phone: (610) 327-3700
 Fax: (610) 327-9488

BOTTOMLESS 48" DIA. SANITARY MANHOLE-2" EXT. w/STAR SEAL PIPE-TO-MANHOLE GASKET

SIGNATURE OF APPROVAL	DATE	RRP	DWG	STRUCTURE
	4/06		BL48SMH2X	