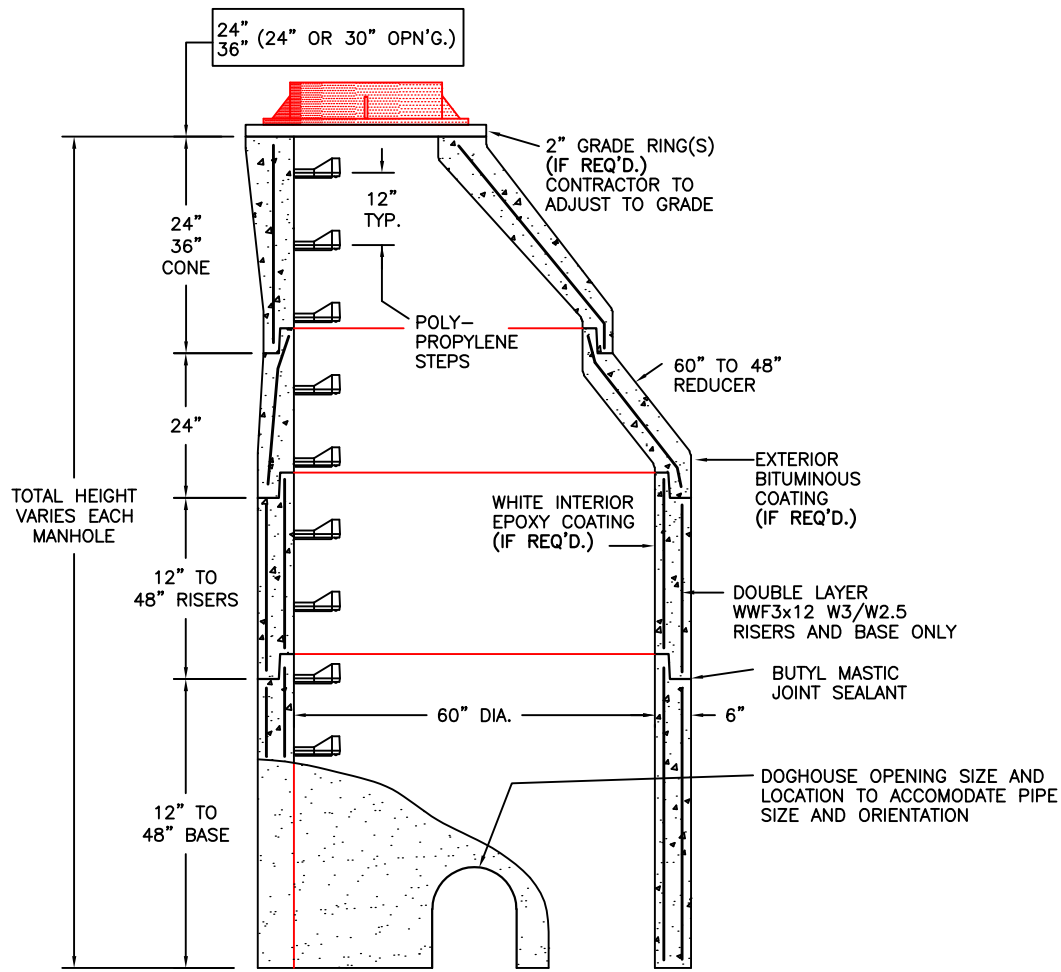
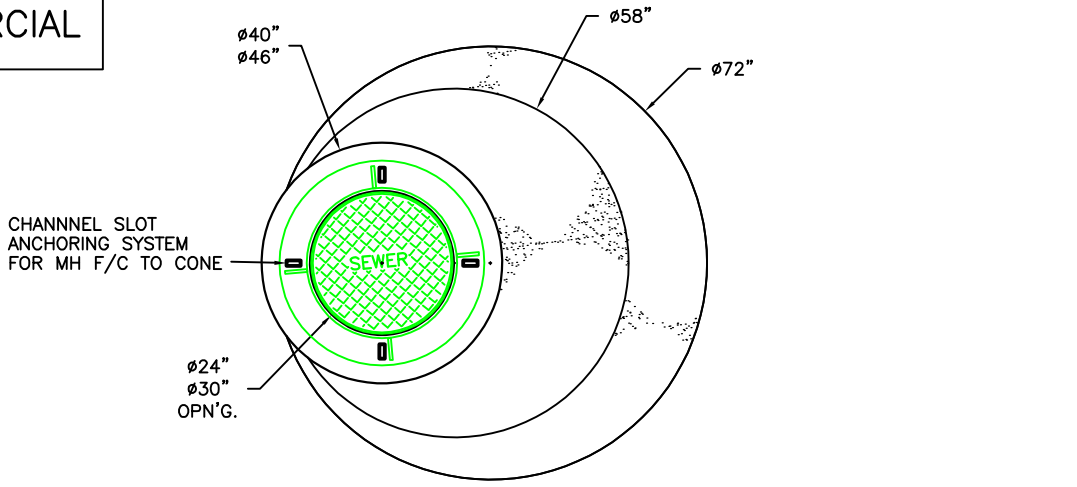


COMMERCIAL



SPECIFICATIONS:

- MINIMUM CONCRETE STRENGTH 4000 PSI @ 28 DAYS (PENN DOT CLASS AA)
- STEEL REINFORCEMENT ASTM A185 HORIZONTAL & HORIZONTAL STEEL
- 1 1/2" MIN. CONCRETE COVER (ALL REINFORCEMENT)
- MANHOLE DESIGN SPEC. CONFORM TO "PRECAST REINFORCEMENT MANHOLE SECTIONS" ASTM C478, LATEST REVISION.



**Continental
Concrete
Products, Inc.**
1 South Grosstown Rd.
Pottstown, PA 19464
Phone: (610) 327-3700
Fax: (610) 327-9488

60" DIA. SANITARY DOGHOUSE MANHOLE

<u>SIGNATURE OF APPROVAL</u>	<u>DATE</u>	<u>RRP</u>	<u>DWG</u>	<u>STRUCTURE</u>
	9/05		60DOGHSE	