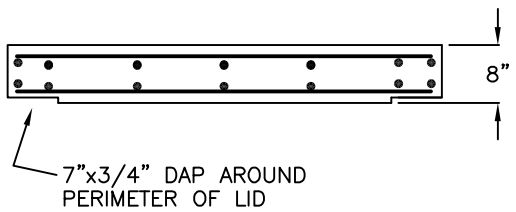
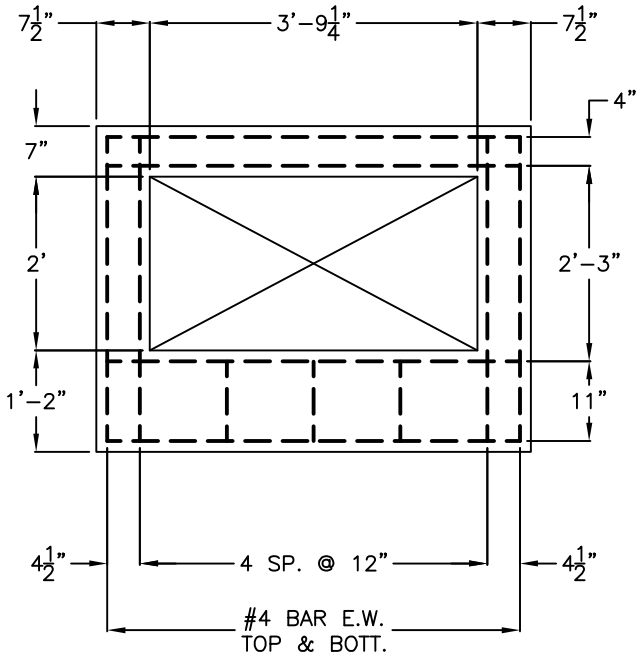
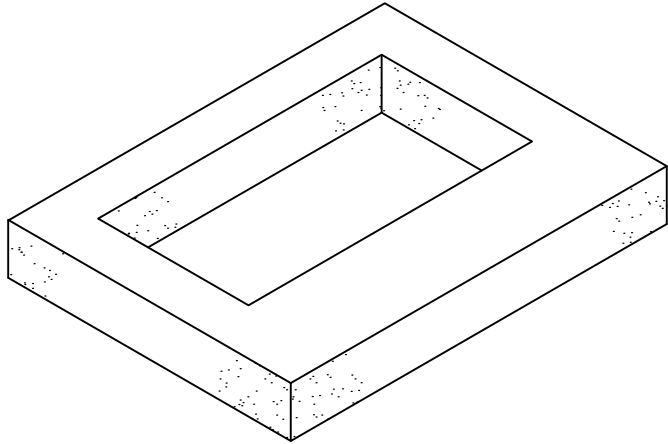


COMMERCIAL



SPECIFICATIONS

MATERIAL AND CONSTRUCTION SHALL COMPLY WITH PENN D.O.T. PUB. 408  
 CLASS AA CONCRETE 4000 P.S.I. @ 28 DAYS  
 REINFORCEMENT~ A.S.T.M. A615 GRADE 60, MIN. 1 1/2" COVER.

**Continental  
 Concrete  
 Products, Inc.**  
 1 South Grosstown Rd.  
 Pottstown, PA 19464  
 Phone: (610) 327-3700  
 Fax: (610) 327-9488

**33"x48" INLET BOX CONVERSION LID**

<u>SIGNATURE OF APPROVAL</u>	<u>DATE</u>	<u>RRP</u>	<u>DWG</u>	<u>STRUCTURE</u>
	8/13/04		3348CV_COMM	