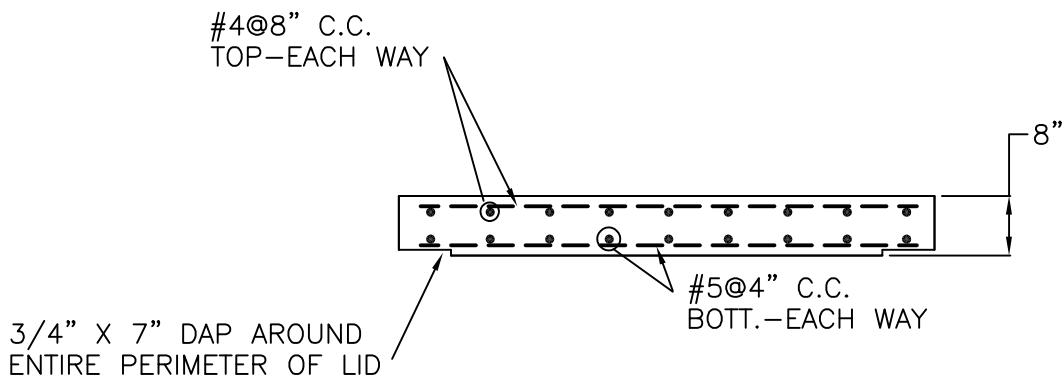
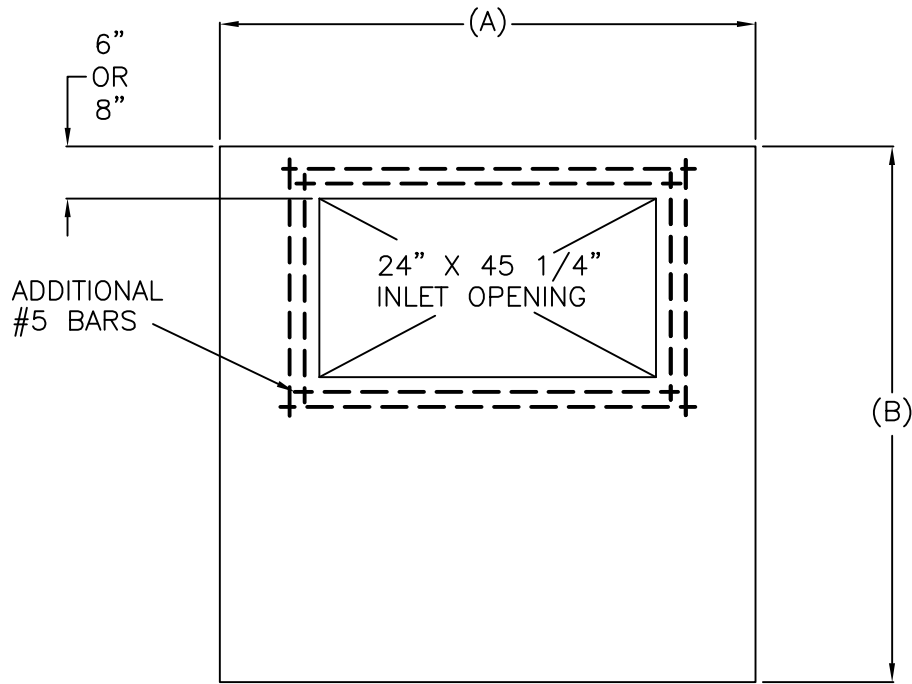


BOX SIZE	(A)	(B)
4'x4' ID TYPE 1	5'	5'
5'x5' ID TYPE 3	6'	6'
6'x6' ID TYPE 3	7'	7'
6'x6' ID W/8" WALL	7.33'	7.33'



SPECIFICATIONS

MATERIAL AND CONSTRUCTION SHALL COMPLY WITH PENN D.O.T. PUB. 408
 CLASS AA CONCRETE 4000 P.S.I. @ 28 DAYS
 REINFORCEMENT~ A.S.T.M. A615 GRADE 60, MIN. 1 1/2" COVER.



**Continental
 Concrete
 Products, Inc.**
 1 South Grosstown Rd.
 Pottstown, PA 19464
 Phone: (610) 327-3700
 Fax: (610) 327-9488

CONVERSION LID FOR MODIFIED INLET BOXES

SIGNATURE OF APPROVAL

DATE

RRP

DWG

STRUCTURE

8/21/03

L4