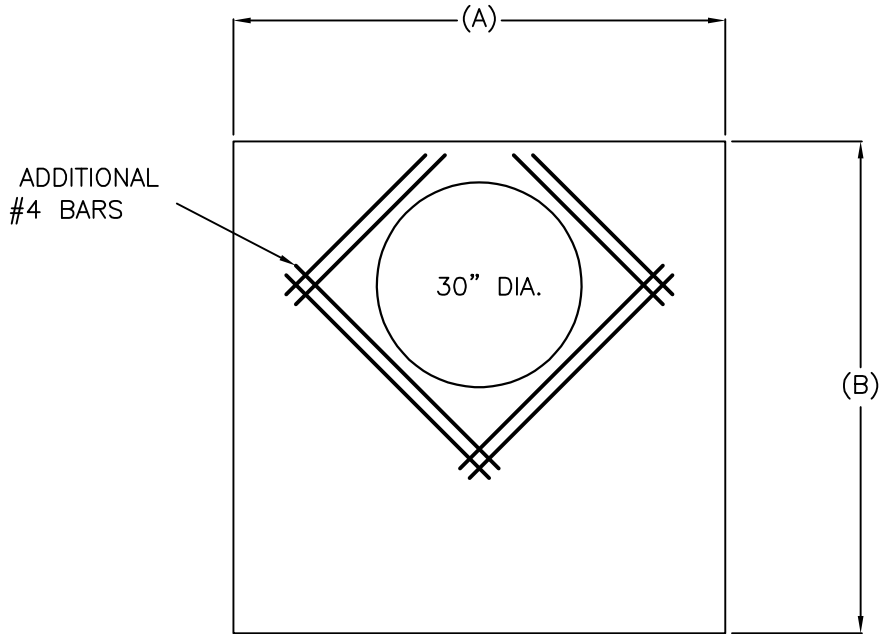
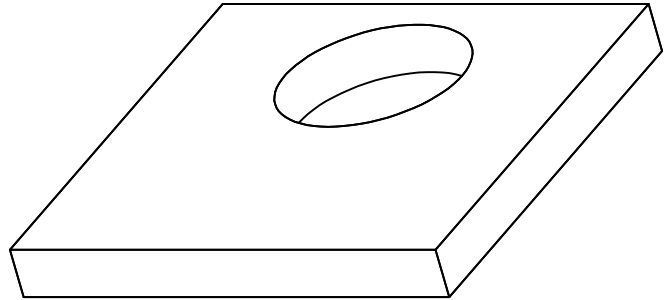
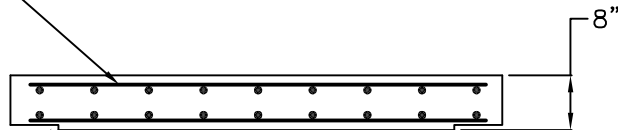


BOX SIZE	(A)	(B)
4'x4' ID TYPE I	5'	5'
5'x5' ID TYPE I	6'	6'
6'x6' ID TYPE I	7'	7'
6'x6' ID W/8" WALL	7.33'	7.33'

COMMERCIAL



#4@6" E.W.
TOP & BOTT.



3/4" X 7" DAP AROUND
ENTIRE PERIMETER OF LID

SPECIFICATIONS

MATERIAL AND CONSTRUCTION SHALL COMPLY WITH PENN D.O.T. PUB. 408
CLASS AA CONCRETE 3750 P.S.I. @ 28 DAYS
REINFORCEMENT~ A.S.T.M. A615 GRADE 60, MIN. 1 1/2" COVER.



**Continental
Concrete
Products, Inc.**
1 South Grosstown Rd.
Pottstown, PA 19464
Phone: (610) 327-3700
Fax: (610) 327-9488

**CONVERSION LIDS FOR MODIFIED MANHOLES TO
FRAME AND COVER**

SIGNATURE OF APPROVAL

DATE

RRP

DWG

STRUCTURE

4/7/06

LBFC