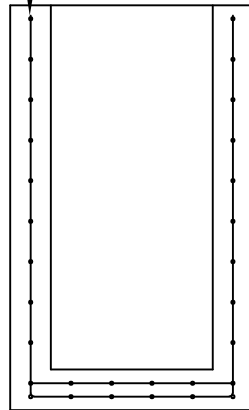
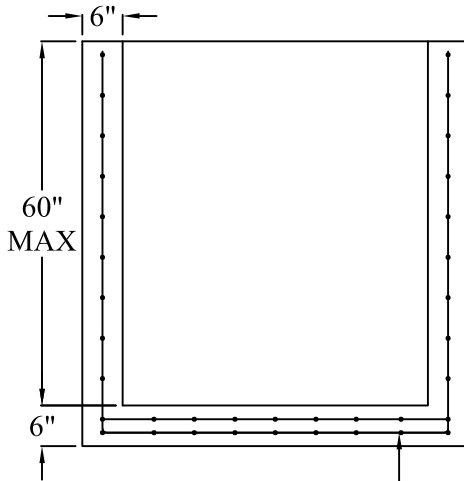
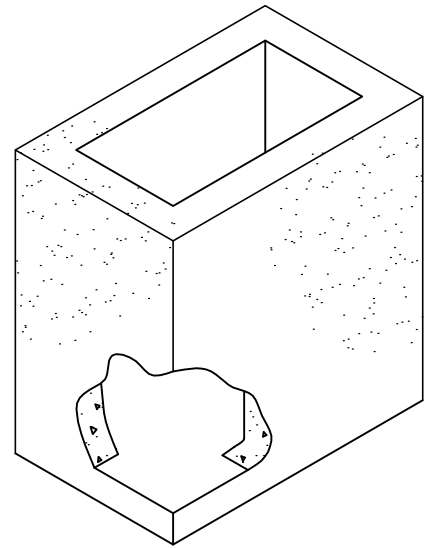
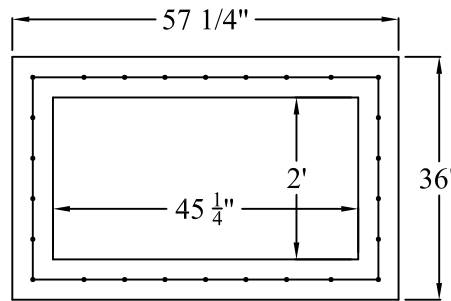


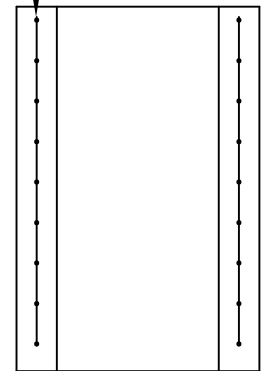
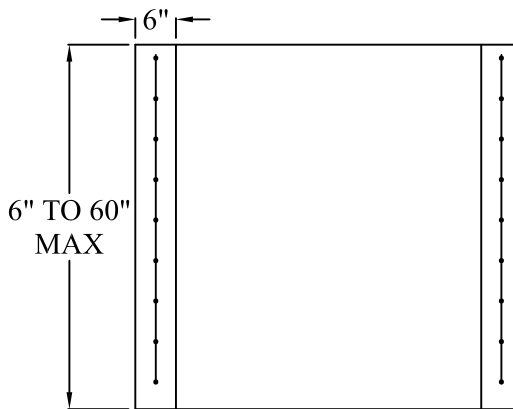
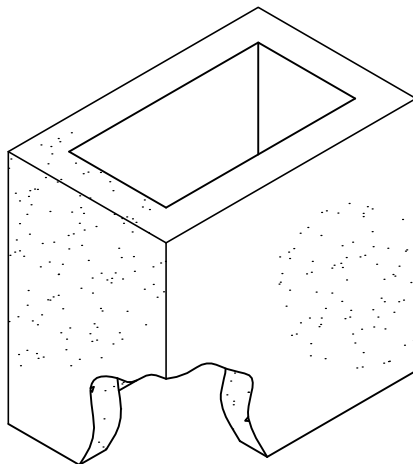
VERTICAL WALL
REINFORCEMENT:
REINFORCED A.S.T.M.
A615 0.12IN²/FT
EACH WAY



BASE SLAB REINFORCEMENT:
TWO LAYERS OF REINFORCING
A.S.T.M A615 0.20IN²/FT.
EACH WAY / EACH LAYER



VERTICAL WALL
REINFORCEMENT:
REINFORCED A.S.T.M.
A615 0.12IN²/FT
EACH WAY



SPECIFICATIONS

MATERIAL AND CONSTRUCTION SHALL COMPLY WITH PENN D.O.T. PUB 408
 PENNDOT CLASS AA CONCRETE 4000 P.S.I. @ 28 DAYS
 REINFORCEMENT~ A.S.T.M. A 615 GRADE 60, MIN. 1 1/2" COVER.
 LOCATION OF PIPE OPENING AS REQUIRED.
 BOXES AND RISERS FABRICATED IN 6" INCREMENTS
 MEETS H-25 LOAD REQUIREMENTS

**Continental
Concrete
Products, Inc.**
 1 South Grosstown Rd.
 Pottstown, PA 19464
 Phone: (610) 327-3700
 Fax: (610) 327-9488

STANDARD 24" x 45 1/4" INLET BOX & RISER SECTION

DATE: 2-00	SIGNATURE OF APPROVAL	DWG NO. ST07	NAME: BTH
---------------	-----------------------	-----------------	--------------