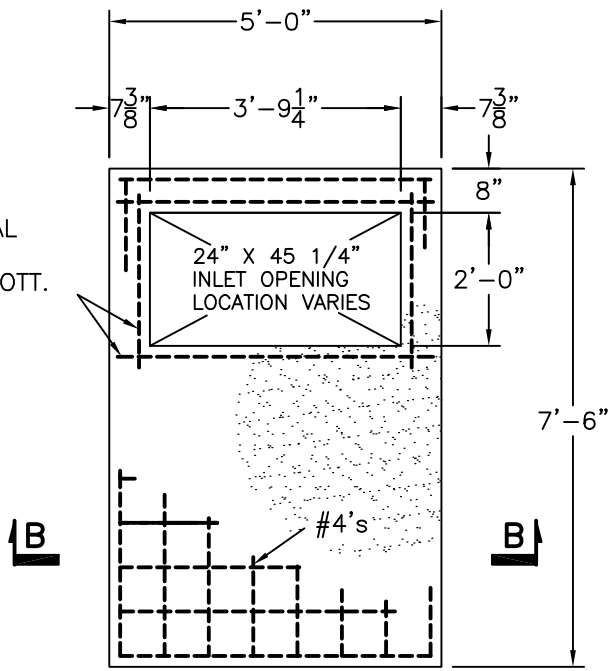
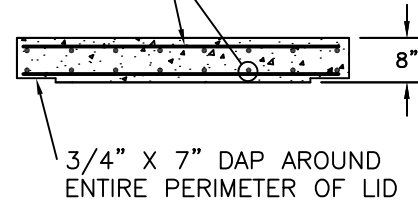


ADDITIONAL
#4 BARS
TOP & BOTT.

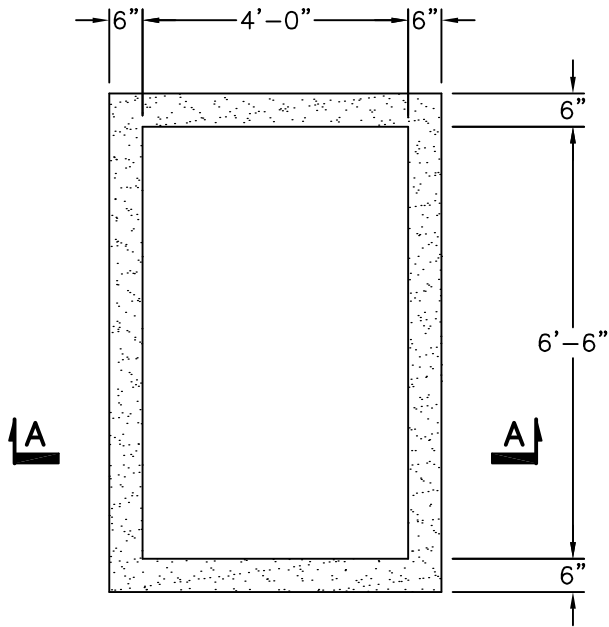


CONVERSION LID

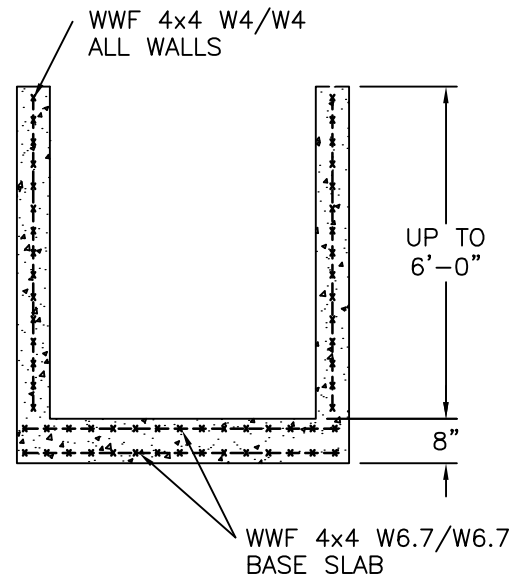
#4@8" E.W.-TOP & BOTT.
EQUAL TO OR GREATER THAN
0.20 IN²/FT.



SECTION 'B-B'



PLAN



SECTION 'A-A'

SPECIFICATIONS

MATERIAL AND CONSTRUCTION SHALL COMPLY WITH PENN D.O.T. PUB. 408
CLASS AA CONCRETE 4000 P.S.I. @ 28 DAYS
REINFORCEMENT~ A.S.T.M. A615 GRADE 60, MIN. 1 1/2" COVER.



**Continental
Concrete
Products, Inc.**
1 South Grosstown Rd.
Pottstown, PA 19464
Phone: (610) 327-3700
Fax: (610) 327-9488

48"x78" INLET BOX w/2x4 CONVERSION LID

SIGNATURE OF APPROVAL

DATE

RRP

DWG

STRUCTURE

11/19/03

4LBMHWLID